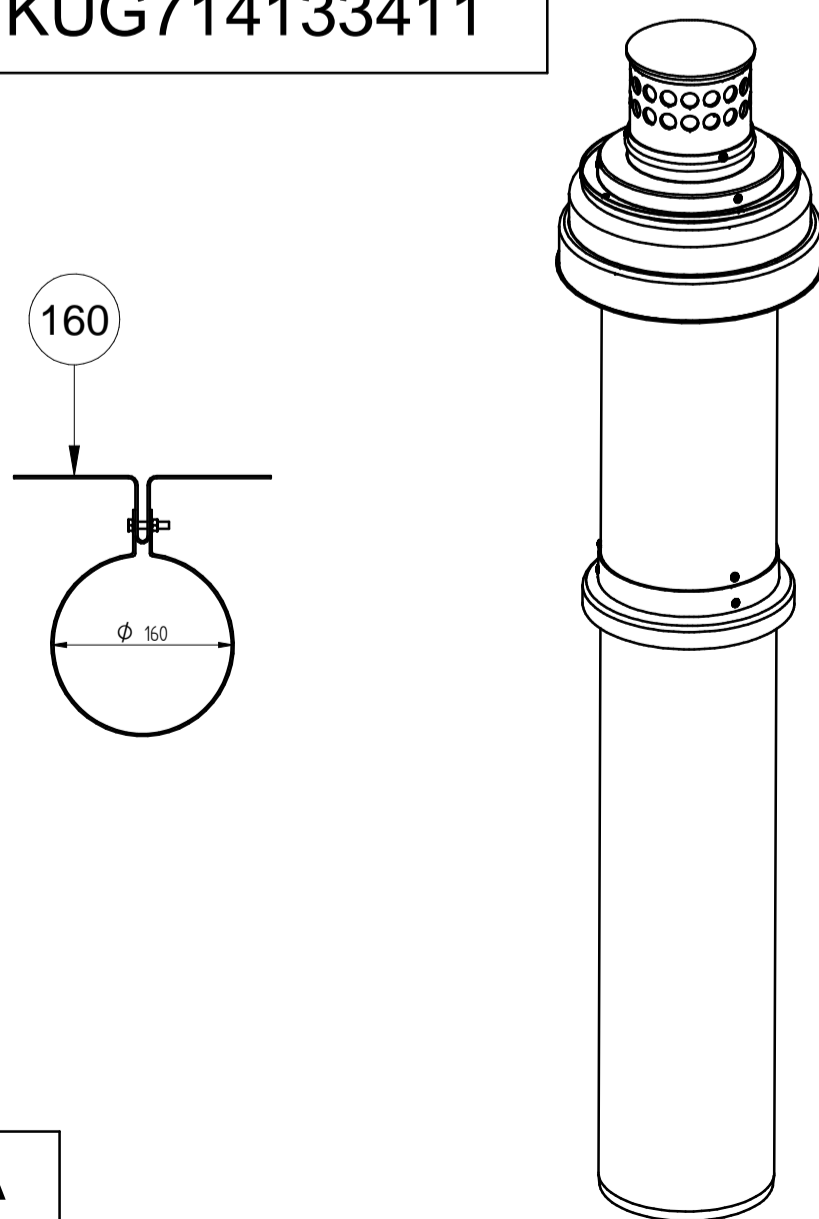


CODICE PRODOTTO FINITO CONFEZIONATO BAXI: KUG714133411

ETICHETTA INDICATIVA A CURA DEL FORNITORE
DISEGNO NON IN SCALA



KUG714133411

- VERTICAL FLUE END-PIECE Ø 110/160 mm
- TERMINAL VERTICAL Ø 110/160 mm
- SENKRECHTES KAMINENDSTÜCK Ø 110/160 mm
- TERMINAL CHIMENEA VERTICAL Ø 110/160 mm
- TERMINAL CHAMINEE VERTICAL Ø 110/160 mm
- TERMINAL CHIMNEY VERTICALE Ø 110/160 mm

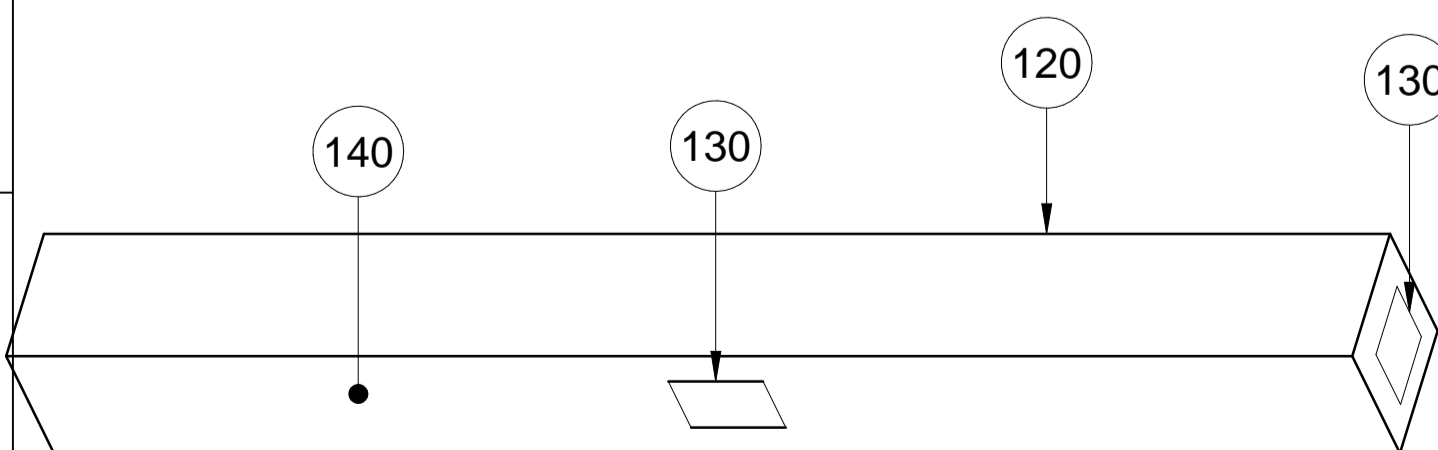
codice a barre tipo C39, vedi KUG71..... ■ TERMINALE CAMINO VERTICALE Ø 110/160 mm

KUG714133411

codice EAN 13 8022945974071

CODICE DISEGNO FORNITORE : 63232851
CODICE ARTICOLO FORNITORE: 939981270

ITEM NO	PART NUMBER	DESCRIPTION	QTY
/	XXXXXX	VITE 3,5 X 19 UNI 8118 (IN SACCHETTO PLASTICA)	2
160	XXXXXX	STAFFA FISSAGGIO A MURO	1
150	XXXXXX	COLLARINO IN LAMIERA CON 2 VITI A CORREDO	1
140	7213912	ISTRUZIONI TERMINALE FUMI D. 110/160	1
130	XXXXXX	ETICHETTA IDENTIFICAZIONE KIT	2
120	XXXXXX	SCATOLA IMBALLO KIT 1190x250x250	1
110	XXXXXX	RIVETTO A STRAPPA ALL./ACC.Zn3.2X9.5	6
100	XXXXXX	VITE AUTOFILETTANTE 3,5X13 TC Cr ACCIAIO INOX C1 50	6
90	XXXXXX	TAPPO Ø 110 PP TAGLIATO	1
80	XXXXXX	O-RING Ø 110,72X3,53 A CORDA IN EPDM COLORE NERO	1
70	XXXXXX	MOLLA A FILO Ø 110/160 IN ACCIAIO C72Zn	1
60	XXXXXX	TERMINALE Ø 110/160 PER COND. NERO ANTIVENTO	1
50	XXXXXX	COPERCHIO ASOLE Ø 110/160 PER COND. NERO	1
40	XXXXXX	COLLARE PER SAT. Ø 110/160 COLORE NERO	1
30	XXXXXX	TUBO Ø 160X638 LAM. M-F COLORE BIANCO RAL 9003	1
20	XXXXXX	TUBO Ø 160X400 LAM. M-F COLORE NERO	1
10	XXXXXX	TUBO Ø 110X1140 M-M + INVITO FORATO	1



DISEGNO SCATOLA E PARTICOLARE NON IN SCALA

Change Description		DIRS
Refers To		
Variato codice foglio istruzione da 926706 a 7213912		
DIMENSION TOLERANCE TO ISO 14405	QUALITY SIGNIFICANCE: [C] DENOTES A CRITICAL DIMENSION. DEVIATION FROM THE SPECIFICATION MAY COMPROMISE THE SAFETY AND/OR THE FUNCTIONALITY OF THE FINISHED PRODUCT.	Tolerance: ISO 2768 mK
Sheet No.: 1 of 1	First Angle Projection	Material Specification:
Units: mm	Scale: 1:2	Creator: Ceccato, Sergio
		Date of Issue: 07/03/2014
BDR THERMEA		File: TERMINALE CAM. VERT. D.110-160
Release Status: Production	Work In Progress: 570465	Revision: 02A

THE REPRODUCTION, DISTRIBUTION AND UTILIZATION OF THIS DOCUMENT AS WELL AS THE COMMUNICATION OF ITS CONTENTS TO OTHERS WITHOUT EXPRESS AUTHORIZATION IS PROHIBITED. OFFENDERS WILL BE HELD LIABLE FOR THE PAYMENT OF DAMAGE. ALL RIGHTS RESERVED IN THE EVENT OF THE GRANT OF A PATENT, UTILITY MODEL OR DESIGN.